

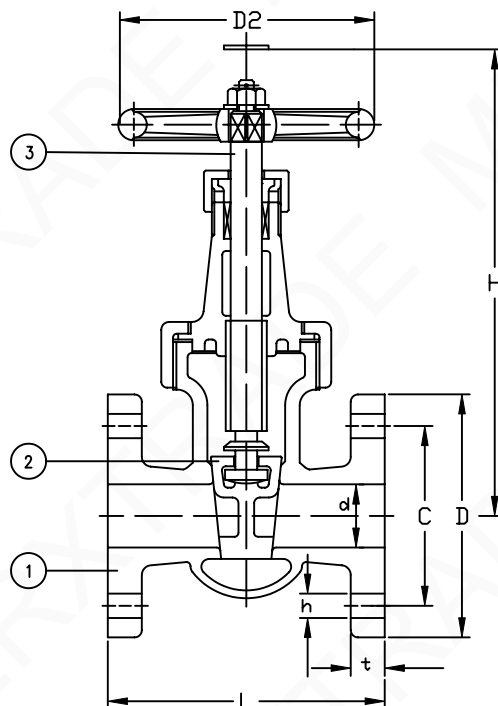
SERIES F7367 - JIS 5K

SERIES F7368 - JIS 10K

Bronze Gate Valve

Manufactured in accordance to JIS F7400

Flanges as per JIS B2220 - 5K and 10K



Part Nr.	Material	Code
1 - Body	Bronze	BC6
2 - Disc	Bronze	BC6
3 - Stem	Brass	C3771BD

Nominal Pressure	5K	10K
------------------	----	-----

Type	Size	L	D	C	No.	h	t	H	D2
F7367 5K	15	90	80	60	4	12	9	175	80
	20	100	85	65	4	12	10	200	100
	25	110	95	75	4	12	10	220	125
	32	130	115	90	4	15	12	250	125
	40	140	120	95	4	15	12	290	140
F7368 10K	15	100	95	70	4	15	12	175	80
	20	110	100	75	4	15	14	200	100
	25	120	125	90	4	19	14	220	125
	32	140	135	100	4	19	16	250	125
	40	150	140	105	4	19	16	290	140